

Installation Instructions for PPI Rubber Interface & Slider Clamp

Before you start....

Use a continuous rail throughout the crossing, grind welds flush, sweep rail and tops of ties free of any debris and ensure spikes are fully seated onto rail base & tie plates.

Installation Procedure

- 1 Place and seat Rubber Interface into web of rail with a sledge hammer (Fig. 1)
- 2 Fasten the Rubber Interface end to end with staples (Fig. 2)
- 3 Slide clamp body under the rail from the gauge side (Fig. 3)
- 4 While applying pressure on the clamp from the gauge side, lift & rotate the hinged end on the field side into the recess on the field interface (Fig. 4)
- 5 Hold field side and push sliding pipe under the rail (by hand) to hold clamp into position (Fig. 5)
- 6 Using a sledge hammer, tap sliding pipe towards the rail until it stops (Fig. 6)

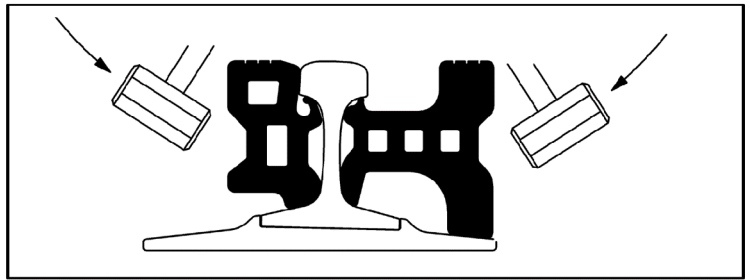


Figure 1

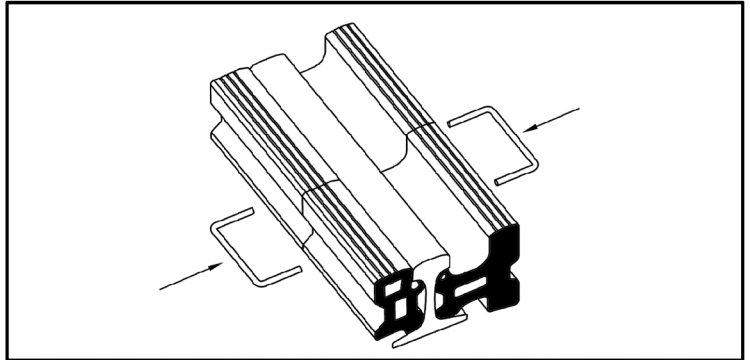


Figure 2

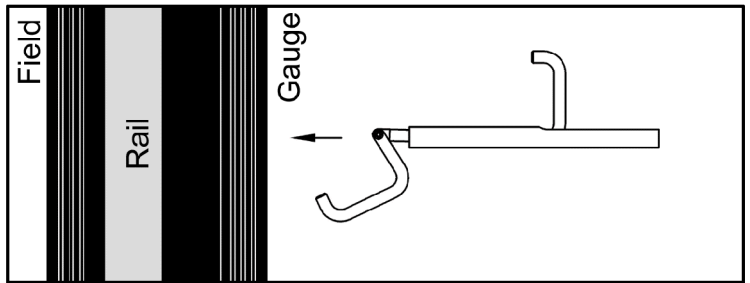


Figure 3

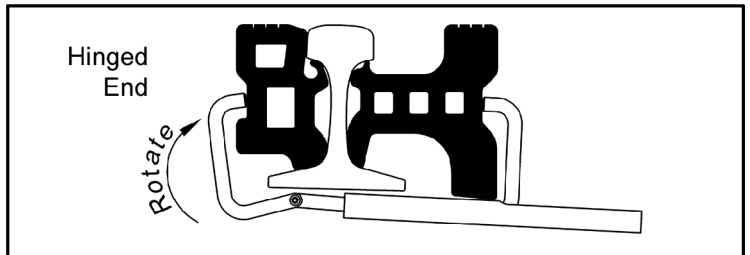


Figure 4

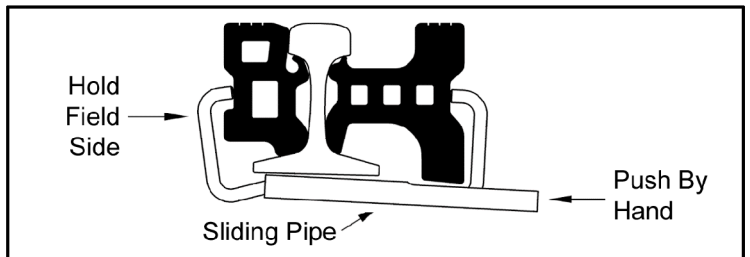


Figure 5

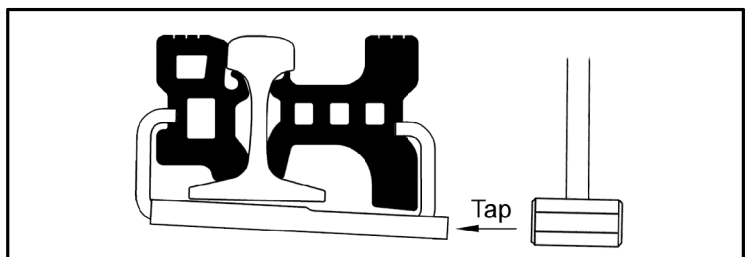


Figure 6

For Assistance Please Call:
Toll Free: 888-222-5968